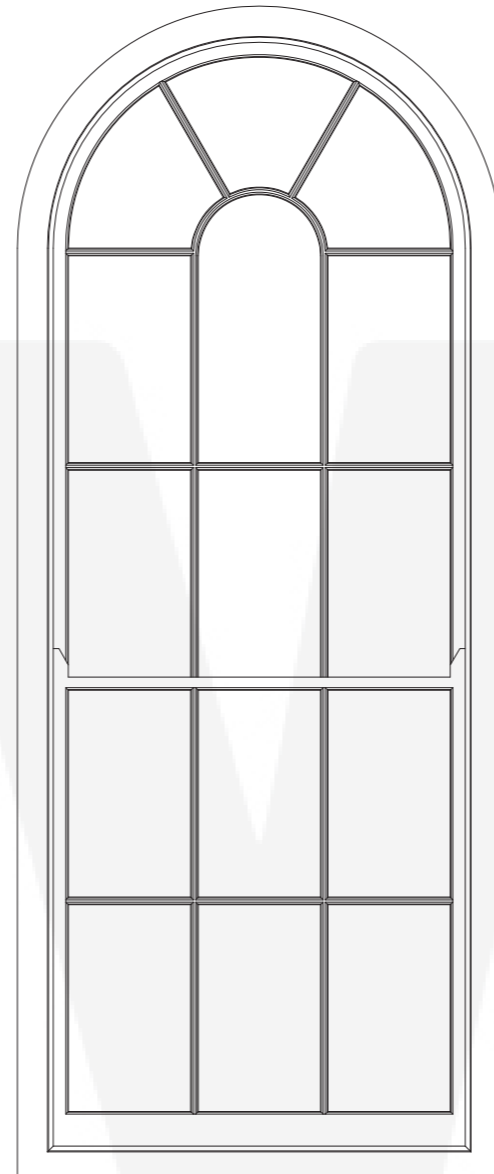
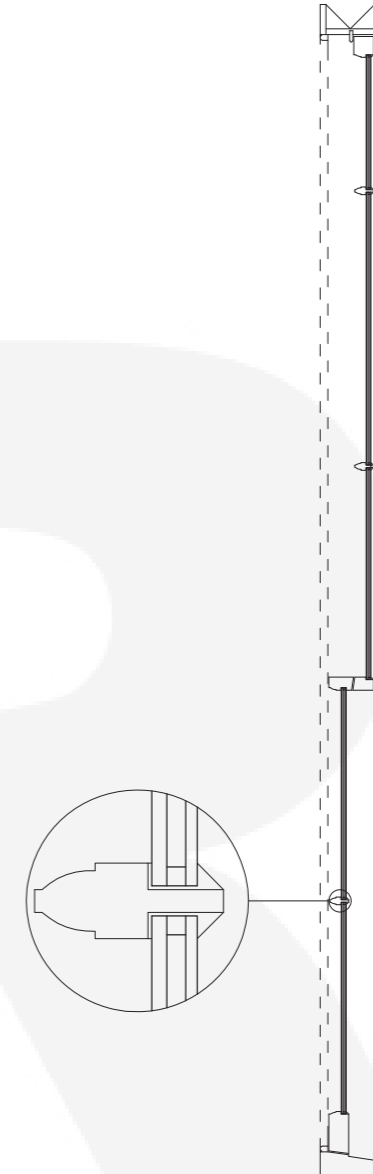


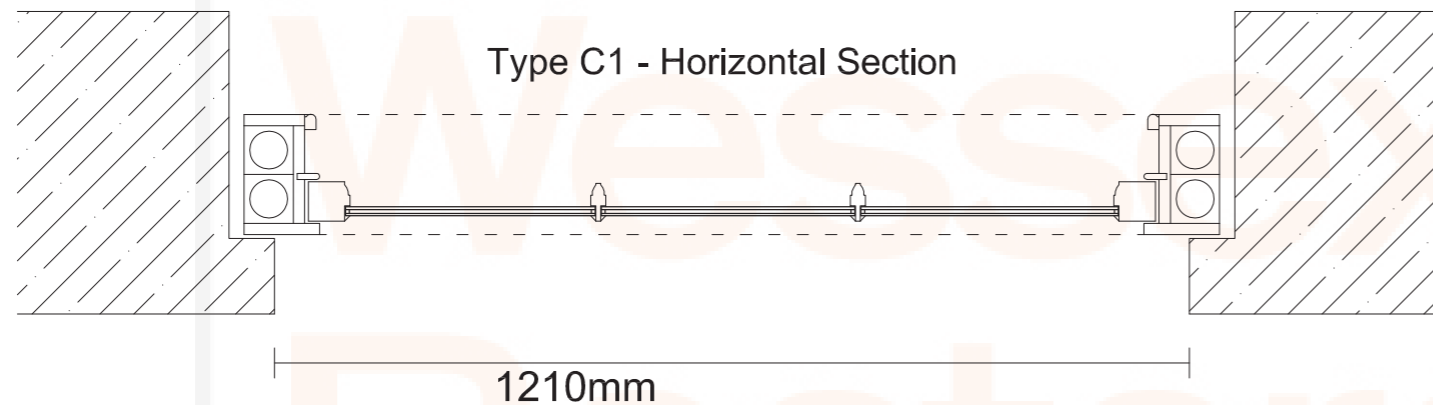
Type C1 - View From Outside



Type C1 - View From Inside



Vertical Section



Type C1 - Horizontal Section

NOTES

New windows to be made from FSC hardwood glazed with slimline double glazing, face puttied externally and suspended on pulleys and weights.

All sizes and mouldings to match existing windows unless otherwise required by Conservation Officer

Wessex Restoration Limited
 Unit 1 West End Trading Estate
 Blackfriars Road
 Nailsea
 Bristol BS48 4DJ
 01275 810322

Notes:

All dimensions must be checked on site.

Client:

Job Title:

Scale: 1:20, 1:10 & 1:2 @
 A3

Drawn By: SM

Date:

Drawing Title:
 Type C1

Drawing Number:

Rev: